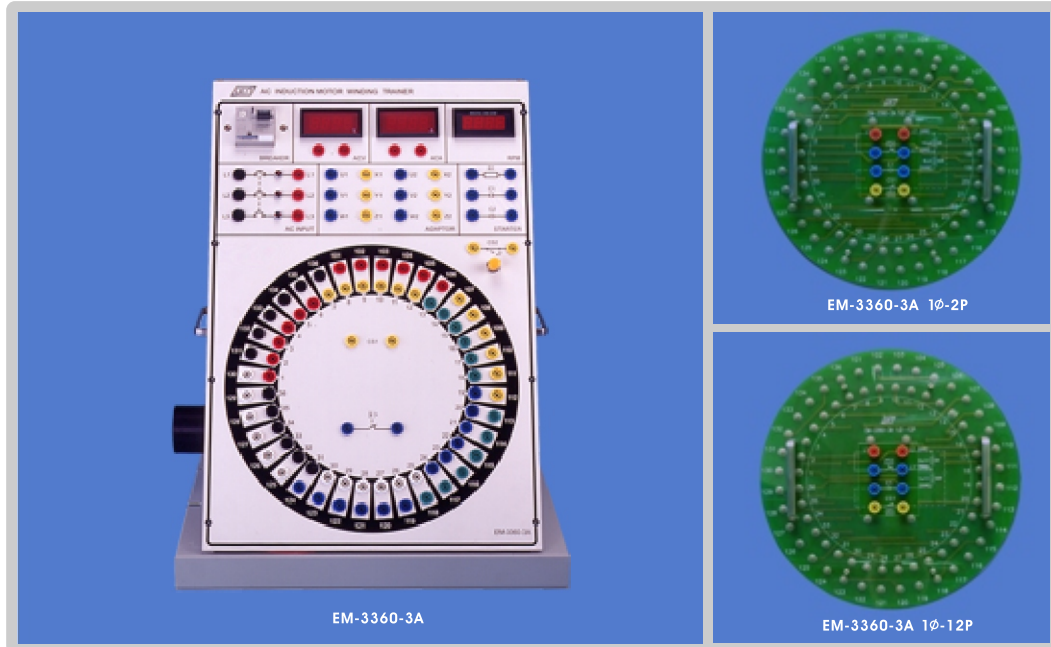


AC INDUCTION MOTOR WINDING TRAINER

EM-3360-3A



EM-3360-3A AC INDUCTION MOTOR WINDING TRAINER consists of the self-starting three-phase induction motor and single-phase induction motor which is used with the resistor or capacitor starting.

Through the simple winding connection, students can learn the different types of motor winding. Using the optional magnetic-powder-brake Unit (EM-3320-1A) and Brake Controller (EM-3320-1N), it is available to link with PC for measuring characteristics of different types of motor.

Features

- Use 4mm safety socket terminal
- The clear printed winding set code and colorful wire top allow user to do winding and operation easily.
- The power input with the motor circuit breaker prevents the danger of wrong winding and improper operation.
- Easily links to brake control. It can measure and draw the characteristics curve of each winding motor through PC.
- Plug-In module helps teachers to complete the experiments easily and quickly.

Specification

(1) Induction Motor

- (a) Rated Voltage : 3 ϕ 220V/60Hz
- (b) Rated Current : 1.4A
- (c) Rated Speed : 1670rpm
- (d) Output Power : 0.3KW

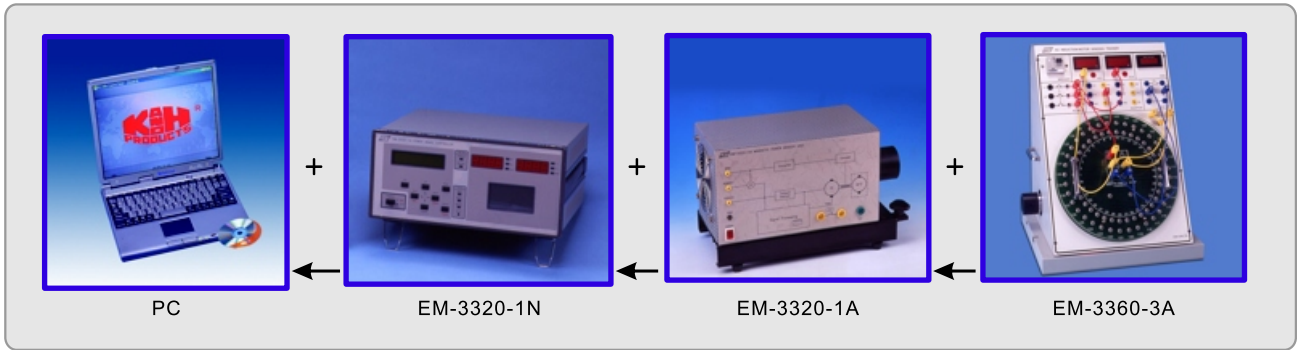
- The motor main body can be connected to the magnetic-powder-brake unit by direct couple.
- The motor with temperature switch for overheating protection.
- With single-phase starting resistor, starting capacitor and rounding capacitor
- Single-phase induction motor is started by emulated centrifugal switch.
- The induction motor winds Max. to 12 pole.

(2) AC Voltmeter : 0 ~ 600V

(3) AC Ammeter : 0 ~ 6A

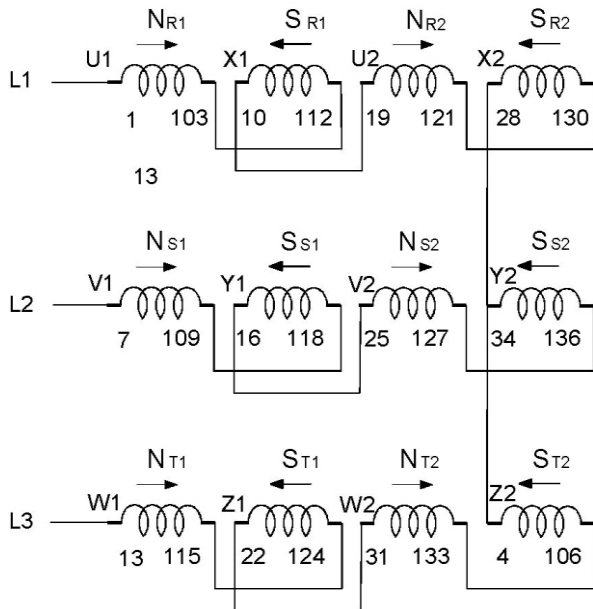
(4) Tachometer : 0.1 ~ 9999 rpm

© **Measurement of different types motor characteristics:**

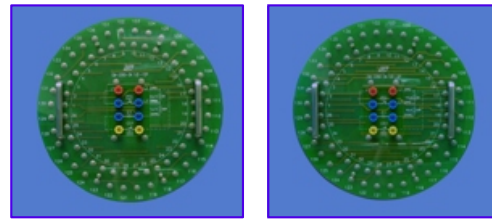


Winding Exemplar:

Topics : Learning the winding of three-phase 4 pole induction motor



Optional Plug-in Panel Exemplar :



List of Experiment :

1. Single-Phase 2 pole induction motor (with optional panel EM-3360-3A, 1 ϕ 2P)
2. Single-Phase 4 pole induction motor (with optional panel EM-3360-3A, 1 ϕ 4P)
3. Single-Phase 6 pole induction motor (with optional panel EM-3360-3A, 1 ϕ 6P)
4. Single-Phase 12 pole induction motor (with optional panel EM-3360-3A, 1 ϕ 12P)
5. Three-Phase 2 pole induction motor (with optional panel EM-3360-3A, 3 ϕ 2P)
6. Three-Phase 4 pole induction motor (with optional panel EM-3360-3A, 3 ϕ 4P)
7. Three-Phase 6 pole induction motor (with optional panel EM-3360-3A, 3 ϕ 6P)
8. Three-Phase 12 pole induction motor (with optional panel EM-3360-3A, 3 ϕ 12P)
9. Three-Phase Induction motor random winding
10. Three-Phase Induction motor fixed torque, fixed power rounding

EM-3360-3A



K&H MFG. CO., LTD.

5F, No. 8, Sec. 4 Tzu-Chiang Rd., San Chung City 241, Taipei Hsien, Taiwan R.O.C.

<http://www.kandh.com.tw>

E-Mail: education@kandh.com.tw

Tel : 886-2-2286-0700 (Rep.) 2286-7786

Fax : 886-2-2287-3066, 2287-9704

