



The IDL-400 logic trainer is designed for the logic beginners to enhance the comprehension of basic logical theory. The user-friendly design makes beginners understand logic gates more easily. It is equipped with various kinds of basic logic gates, debounced logic switches, LED indicators, DC power supply with short circuit protection, pulse generator and a solderless breadboard.

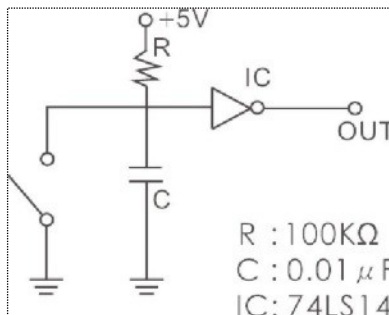
Specifications

1. Basic logic gate units :

- (1) It contains 6 kinds of logic gates, i.e. AND gate X 6, OR gate X 6, NAND gate X 6, NOR gate X 6, XOR gate X 3 and NOT gate X 3.
- (2) Input voltage of HI level > 2.25V
- (3) Input voltage of LO level < 0.8V

2. DC power supply: With short circuit protection and indicator

- (1) Output voltage +5V $\pm 5\%$ Max. output current 1Amp. Line regulation < 50mV Load regulation < 100mV



- (2) Output voltage -5V $\pm 5\%$ Max. output current 500mA Line regulation < 25mV Load regulation < 30mV

- (3) Output voltage $\pm 15V \pm 5\%$ Max. output current 500mA Line regulation < 150mV Load regulation < 150mV

3. Pulse generator :

- (1) 3 kinds of time interval : 1sec., 0.1sec., 0.01sec.,
- (2) Output voltage +5V

4. Debounced logic switch : HI/LO

5. 8 bits LED output indicator : Max. input voltage < 15V DC

6. Solderless breadboard : AD-200

Interconnected 1896 tie points, fits all components with DIP sizes and solid wire AWG #22-30 (0.3-0.8mm)

7. Accessories :

- (1) Power cord (2) User manual
8. Dimensions : 420 x 360 x 200mm (L x W x H)
9. Weight : 4.2 kg

K&H MFG. CO., LTD.

5F, No. 8, Sec. 4 Tzu-Chiang Rd., San Chung City 241,
Taipei Hsien, Taiwan R.O.C.

<http://www.kandh.com.tw> E-Mail: education@kandh.com.tw

Fax: 886-2-2287-3066, 2287-9704 Tel: 886-2-2286-0700, 2286-7786

RAPAS kft

1184 Budapest Üllői út 315.

Tel: 06 1 294 2900 Email: rapaskft@digikabel.hu Internet:

www.oktatasi-eszkoz.hu