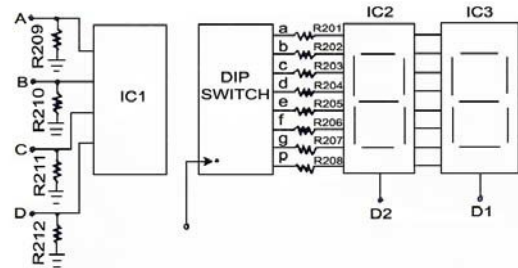




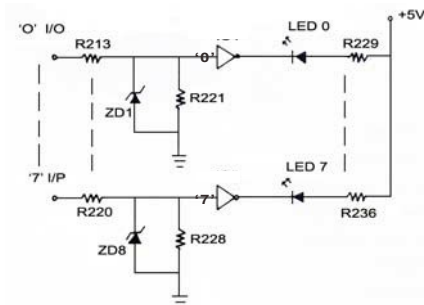
Specifications

- Solderless breadboard : AD-200
Interconnected nickel plated contact socket with a total of 1896 tie points fits all components with DIP size and solid wire in diameter of AWG #22-30 (0.3 ~ 0.8mm)
- DC power supply
 - Variable DC power :
 - Positive output voltage : $0 \sim +15V \pm 10\%$
 - Negative output voltage : $0 \sim -15V \pm 10\%$
 - Maximum output current : 300mA.
 - Line regulation : $< 0.05\% / V$ ($T_a=25^\circ C$)
 - Load regulation : $< 30mV$ ($T_a=25^\circ C$)
 - Fixed power supply :
 - Positive output voltage : $+5V \pm 10\%$
 - Maximum output current : 1Amp.
 - Line regulation : $< 50mV$.
 - Load regulation : $< 100mV$.
 - Negative output voltage : $-5V \pm 10\%$
 - Maximum output current : 100mA
 - Line regulation : $< 25mV$.
 - Load regulation : $< 30mV$.
- All DC power supplies with short circuit protection.
- Function generator :
 - Frequency ranges : 0.1 Hz ~ 2 Hz
(6 ranges)
 - 1 Hz ~ 20 Hz
 - 10 Hz ~ 200 Hz
 - 100 Hz ~ 2 K Hz
 - 1K Hz ~ 20K Hz
 - 10K Hz ~ 200K Hz
 - Sine wave output : $0 \sim 5V_{pp} \pm 10\%$ variable
 - Triangle wave output : $0 \sim 5V_{pp} \pm 10\%$ variable
 - Square wave output : $0 \sim 15V_{pp} \pm 10\%$ variable
 - TTL mode output : $+5V \pm 10\%$
- Digital voltmeter :
 - $3\frac{1}{2}$ digits LED display.
 - 4 ranges: $0 \sim 199.9V$ full scale
 $0 \sim 19.99V$ full scale
 $0 \sim 1.999V$ full scale
 $0 \sim 199.9mV$ full scale
 - Input impedance : $10M\Omega$ for any range.
- Universal counter
 - Frequency range : 1Hz ~ 99.999999MHz ;
10Hz ~ 100.000000MHz
 - Period range TH & TL : $0.01\mu s \sim 999999.99\mu s$;
 $1\mu s \sim 99999999\mu s$
 - Input signal: TTL or CMOS level or any level ($V_{min} \geq +2.3V_p \pm 10\%$)
 - Display : 8-digit 7-segment LED display
 - Counter switch : External / internal

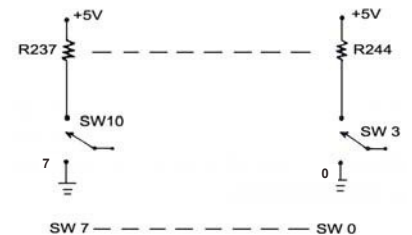
- Two digits of 7 segment LED display :
Common cathode operation



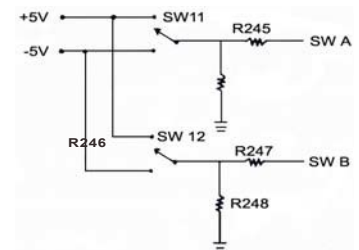
- Four point tip / banana socket / BNC socket exchange adapters
- Eight buffered LED displays :



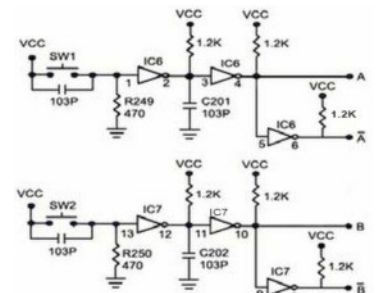
- Eight data switches :



- Two function switches :



- Two pulse switches :



- Dimensions : 420 x 360 x 200mm (L x W x H)

- Weight : 4.2kg

K&H MFG. CO., LTD.

5F, No. 8, Sec. 4 Tzu-Chiang Rd., San Chung City 241,
Taipei Hsien, Taiwan R.O.C.

<http://www.kandh.com.tw> E-Mail: education@kandh.com.tw

Fax: 886-2-2287-3066, 2287-9704 Tel: 886-2-2286-0700, 2286-7786

RAPAS kft

1184 Budapest Üllői út 315.

Tel: 06 1 294 2900 Email: rapaskft@digikabel.hu Internet:

www.oktatasi-eszkoz.hu